

Board: B010  
Variant: BasFF

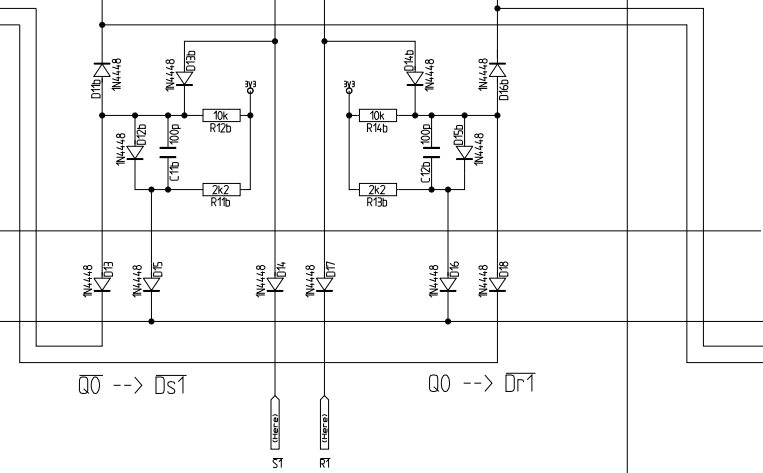
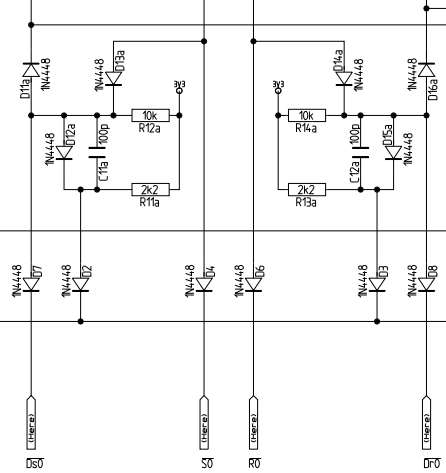
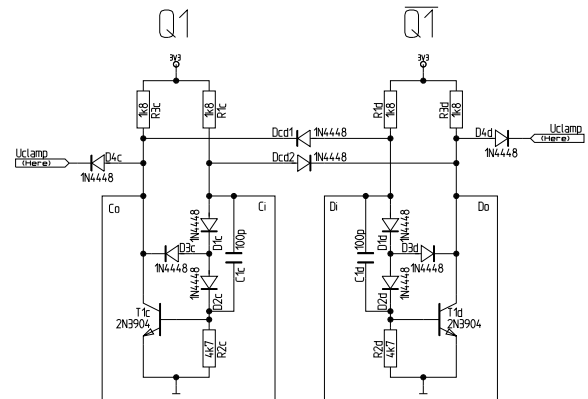
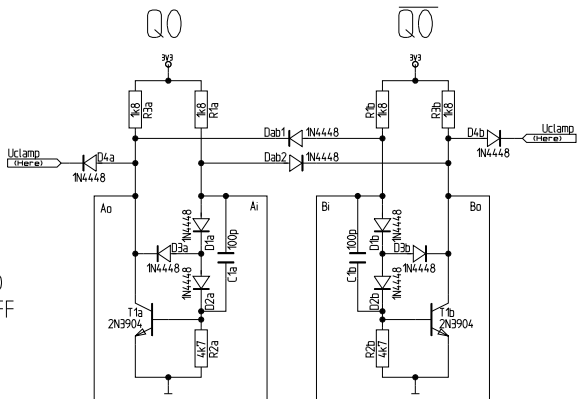
Board: B020

Main Board

UPD	1	2	3	4	5	6	7	8	9	10	11	12	13	14
ECO														
CHK														
Examples	DWI	4/26/2016		Variant: All Variants										
PCB PartNumber	ENG	RevDate	Page description: Basic inverter											

Sheet	1 of 1	Project:  shiftreg Example
ENG		
CHK:		
AUT:		

Alepton  
www.alepton.eu



Direct Set/Reset

Direct Set/Reset

Q0 --> Ds1

Q0 --> Dr1